

ADGT Serial-to-Ethernet Industrial EDM Converter Series



Serial-to-Ethernet
Converter Series
for M2M/IoT Data
Communications

PRODUCT OVERVIEW

Bidirectional serial-to-ethernet converter designed to connect devices with RS-232/RS-485 interfaces to LAN/WAN Internet over Ethernet network.

Easy-to-use, reliable and cost-effective solution that provides remote access to equipment from anywhere in the world.

The following models are available in the line:

- **EDM106** – converter with one RS-232 and two RS-485 ports
- **EDM106-G** – converter with one RS-232 and two galvanically isolated RS-485 ports.

Serial interfaces can operate simultaneously that allows to connect wide range of devices: meters, controllers, sensors, etc. Many network settings and serial parameters can be easily changed via web browser or console.

APPEARANCE

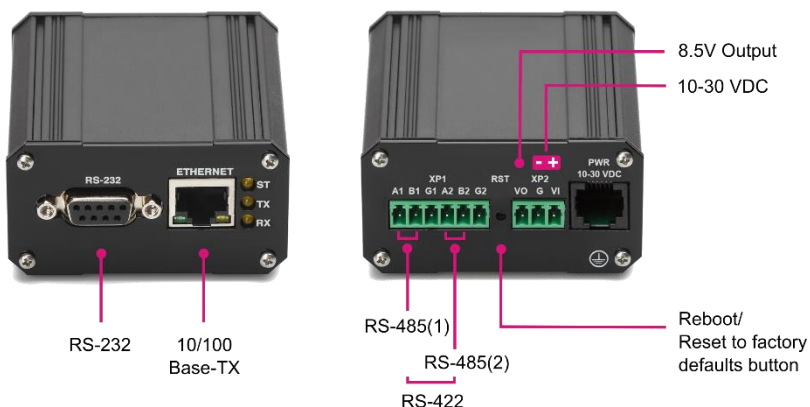
Converter is housed in a compact metal enclosure and is suitable for DIN-rail or wall mounting. Ethernet port and DB9-F port are located on the front side of the device. The back side contains two RS-485 ports (configured as RS-422), 6P6C and 2-pin power supply connectors, RESET button and LED indicators.

KEY FEATURES

- Ethernet 10/100 Base-TX
- RS-232, 2xRS-485/RS-422 ports
- TCP Server/TCP Client modes
- DHCP Client and DNS Client
- 8.5V Power Output
- Easy configuration and firmware update via web interface
- Built-in watchdog timer ensuring automatic device reboot in the event of system failures
- Operating temperature: -40...+70°C

Application Areas:

- AMR/AMI systems, smart grids.
- Industrial Automation and Monitoring Systems
- Power and Energy industry



SPECIFICATIONS

	EDM106	EDM106-G
SERIAL		
Serial Ports	<ul style="list-style-type: none"> • 1 x RS-232 (DB9-F) • 2 x RS-485 / 1 x RS-422 (terminal block) 	
Signals	<ul style="list-style-type: none"> • RS-232: TxD, RxD, RTS, CTS • RS-485: Data A(+), Data B (-) • RS-422: Tx+, Tx-, Rx+, Rx- 	
Baud Rate	600-115200 bps	
Data Bits	7, 8	
Parity	None, Odd, Even	
Stop Bits	1, 0.5, 1.5, 2	
Flow Control	RTS/CTS	
RS-485 protection	–	•
ETHERNET		
Port	1 x RJ-45 10/100 Base-TX	
Transmission	TCP	
CPU		
CPU	ARM 32-bit Cortex™-M3 120 MHz	
RAM	128 Kb	
Flash	256 Kb	

	EDM106	EDM106-G
POWER SUPPLY		
Voltage	DC 10~30 V	
Consumption	0,5 W	
Connector	2-pin, 6P6C	
MECHANICAL & ENVIRONMENTAL		
Reliability	WatchDog timer	
Dimensions	76 x 65 x 36 mm (L x W x H)	
Weight	122 (± 5) gr	
Enclosure	Aluminum alloy (IP30)	
Mounting	DIN rail, wall, table rubber feet	
Operating temperature	-40...+70° C	
Warranty	2 years	
Relative Humidity	up to 90% at 20° C temperature	
Average Service Life	10 years	

